

# **CUT-N-LEVEL DRAG**

## **MODEL #'S 10550 & BSCLDRAG**

Page 1 of 9

Congratulations on your purchase of the very unique CUT-N-LEVEL DRAG. The heavy duty steel frame sled with adjustable blades and removable basket will accomplish a number of field maintenance tasks. Skinned softball fields are the most common surfaces for the Cut-n-Level Drag, however, it works equally well on tracks and baseball fields. See page 9 for baseball infield driving pattern.

### **GRADING TOOL**

The name of this product highlights its primary function to cut high spots in your infield, carry the dirt and deposit the dirt in the low spots to create a level playing surface. The sled will also carry dirt from the outside of the field to the center of the field to create a crown to the field for drainage.

### **FIELD DRYING TOOL**

Using the tool in its cutting mode with blades down slightly you can shave the surface and open the dirt up to be exposed to the air to significantly reduce the drying time required for a wet field. Adding a drying agent field amendment in conjunction with the use of the CUT-N-LEVEL DRAG will produce even more effective drying results.

### **SPREADING TOOL**

The CUT-N-LEVEL DRAG will make short work of spreading brick dust or soil amendments, mixing them with your topsoil and creating a level playing surface all at the same time.

### **ROCK REMOVAL TOOL**

Using the removable steel framed screen and adjusting the sled to skim the surface of your field will filter rocks and debris from the surface of your field.

## ***Important !!!***

The following pages will offer direction on assembly, application and use of the CUT-N-LEVEL DRAG to accomplish various tasks. Please keep in mind that there are many variables inherent to your particular field, personnel and equipment that will effect the application and use of this tool.

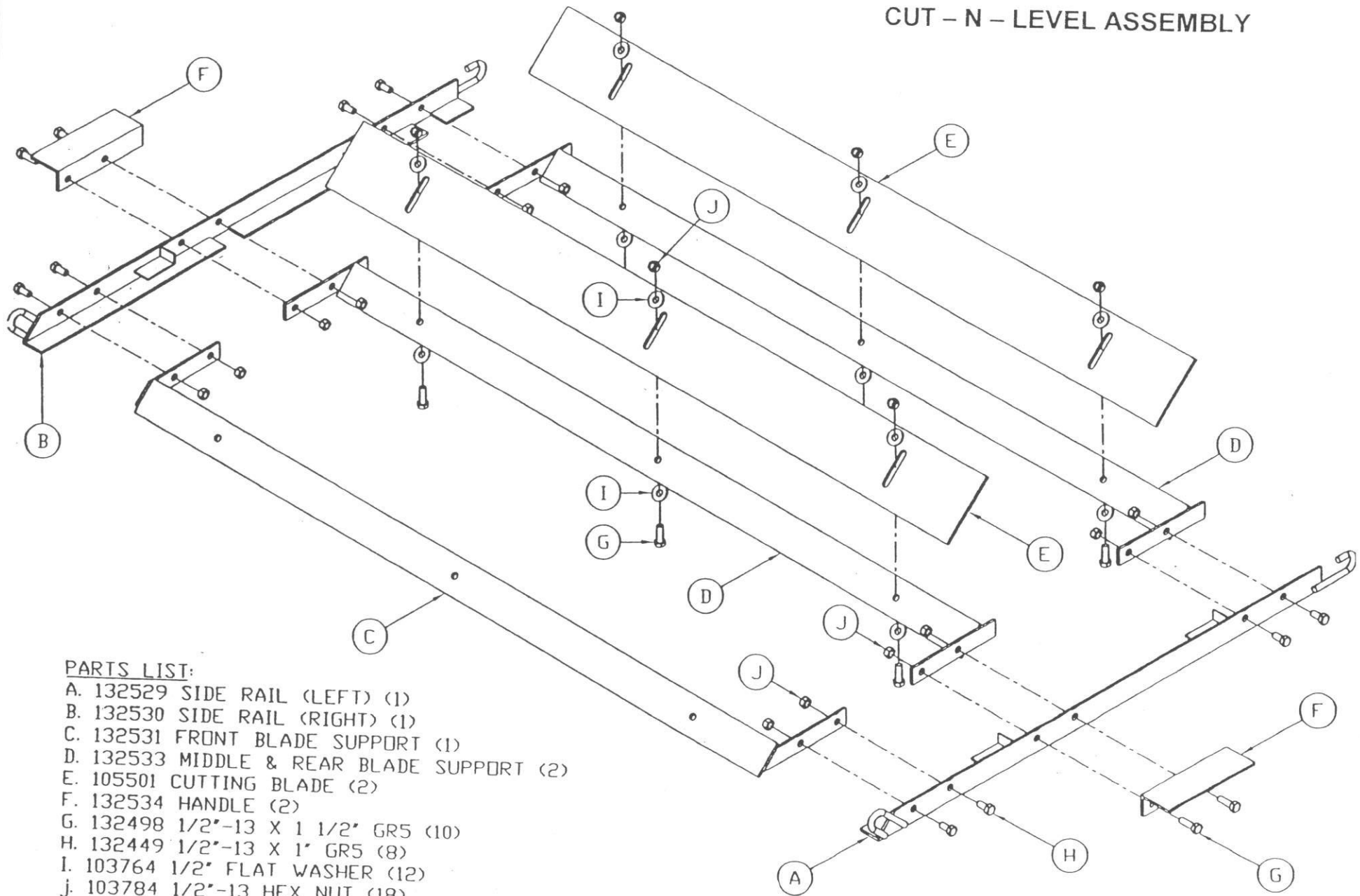
Many factors like soil consistency, soil moisture content and your towing vehicle will effect the performance of this tool. It will take some time and experimenting with your personnel to determine what works best for your application. Variables such as speed of towing, height of chain attachment, length of chain, depth of blades, number of blades used will have an impact on the performance of the CUT-N-LEVEL DRAG.

Also, please be aware that depending upon the condition of your field it may take several uses over a period of time to create a totally level and crowned playing surface. You will experience noticeable improvement from the first use. Continued regular use and experimentation based on your particular conditions will result in improvement with every use.

## CUT-N-LEVEL ASSEMBLY INSTRUCTIONS

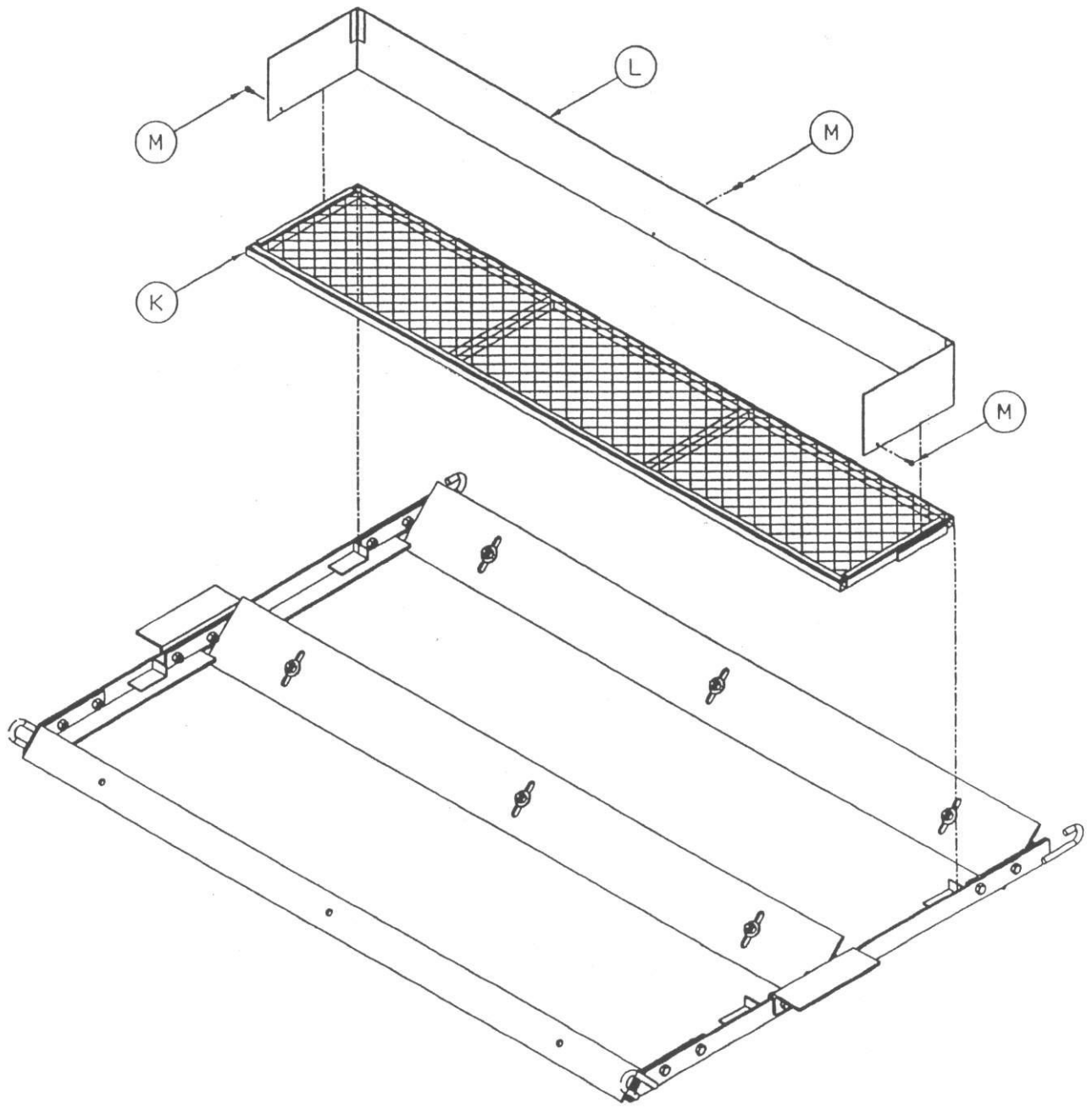
1. Set side rails (Parts-A & B) approximately 6 feet apart and parallel to each other.
2. Set handles (Part-F) to the outside and middle of side rails.
3. Set front blade (Part C) in front between side rails.
4. Set middle blade support (Part-D) (same as back blade support) in middle between side rails.
5. Set back blade support (Part-D) (same as middle blade support) in back between side rails.
6. Line up the holes and bolt together loosely (finger tight).
7. Use the ½" x 1 ½" bolts (Part-G) and hex nut (Part-J) to fasten the handles to the side rails and middle blade support.
8. Use the ½" x 1" bolts (Part-H) and hex nut (Part-J) on front and rear blade support locations.
9. When all bolts are in place, tighten hardware down.
10. Set the cutting blades (Part-E) in place and adjust to desired cutting depth.
11. Fasten cutting blades to blade supports using the ½" x 1 ½" bolts (Part-G) with flat washers (Part-I) and hex nuts (Part J).

# CUT - N - LEVEL ASSEMBLY



## PARTS LIST:

- A. 132529 SIDE RAIL (LEFT) (1)
- B. 132530 SIDE RAIL (RIGHT) (1)
- C. 132531 FRONT BLADE SUPPORT (1)
- D. 132533 MIDDLE & REAR BLADE SUPPORT (2)
- E. 105501 CUTTING BLADE (2)
- F. 132534 HANDLE (2)
- G. 132498 1/2"-13 X 1 1/2" GR5 (10)
- H. 132449 1/2"-13 X 1" GR5 (8)
- I. 103764 1/2" FLAT WASHER (12)
- J. 103784 1/2"-13 HEX NUT (18)
- K. 132536 BASKET (1)
- L. 132536A BASKET REAR PLATE w/HINGE (1)
- M. 132614 #10 X 3/4" SELF TAPPING SCREW (3)



## **CUT-N-LEVEL SET-UP/ROUTINE**

### **GRADING TOOL USE**

The primary function of the Cut-N-Level Drag is to cut the high spots in the field, carry the dirt from the high spots and deposit it in the low spots to create a level playing surface. Once a level surface is achieved it may be desirable to create a crown (higher in the center) to the field for drainage.

Cutting and leveling is not meant to be done on a daily basis. Because a lot of dirt will be moved around the field, this should be done during the preseason to get the field ready for play. Depending upon the condition of the field this process may take a couple of days. Remember that during your first few uses you will be doing a lot of experimenting with chain height and length, drag speed, number of blades and blade depth to find out what works best for your particular field conditions.

After preseason prep you will probably want to use your cut-n-level once or twice a month depending upon needs and available staff.

**EQUIPMENT SET-UP:** Start by using the full length of chain supplied, hooked to your tow vehicle at a standard bumper ball hitch height. Install both cutting blades and set the center blade at 1/8" below the frame, set the rear blade at 1/4" - 3/8" below the frame and drive 3-5 mph. **Remember adjustments may be necessary to achieve maximum results.**

**ROUTINE:** Start by driving the cloverleaf pattern as shown on page 7. Make your first pass as close to bases as possible and make subsequent passes in larger arcs as you go. This pattern should cut the high spots behind the bases, carry the dirt and deposit it in the low spots in front of the bases.

Once you have completed the cloverleaf patterns, swing to the outside edge of the field and circle **counter-clockwise** towards the middle of the field as shown on page 8 finishing as tight as possible around the pitchers plate.

Move back to outside edge of field, reset blades to level or remove one or both blades, and repeat circular pattern in a **clockwise** direction finishing in the center of the field.

**NOTE:** During second circular pattern you can hook a standard drag mat via the rear hooks to fine groom your field at the same time.

**Remember that depending upon the condition of your field it may take several uses of your cut-n-level drag to achieve a level crowned playing surface. You will see improvement after each use.**

## **CUT-N-LEVEL SET-UP/ROUTINE**

### **FIELD DRYING TOOL**

By adjusting the blades to cut the top surface of dirt, the drag will mix the wet and drier dirt together. By moving the dirt over the blades and exposing it to the air it will dry up faster.

**EQUIPMENT SET-UP/ROUTINE:** Drag should be set-up the same as the cutting and leveling mode. Both blades in place, center blade 1/8" down, rear blade 1/4" down. Drive in the circle pattern as shown on page 6 (diagram A-2). If time allows, complete a circle pattern, opening up the field, and allow the exposed dirt to air dry for 1-2 hours or more if time allows. Continue circle patterns as time allows until you have achieved the desired drying results. Remember to allow time for a final pass with blades up or removed and you drag mat in place for final grooming.

### **SPREADING TOOL**

Add brick dust, topsoil, field amendments to your field and spread material with your tractor bucket. Now use you Cut-N-Level Drag to mix with your field material and level for play.

**EQUIPMENT SET-UP/ROUTINE:** Drag should be set-up with no blades or blades level to add new material on top of old. If a mixture is desired then use blades and adjust down slightly to cut surface and mix new material with old. You can use your choice of patterns here, but you will want to finish with a circular pattern and blades up or off and your drag mat for fine grooming.

### **ROCK REMOVAL TOOL**

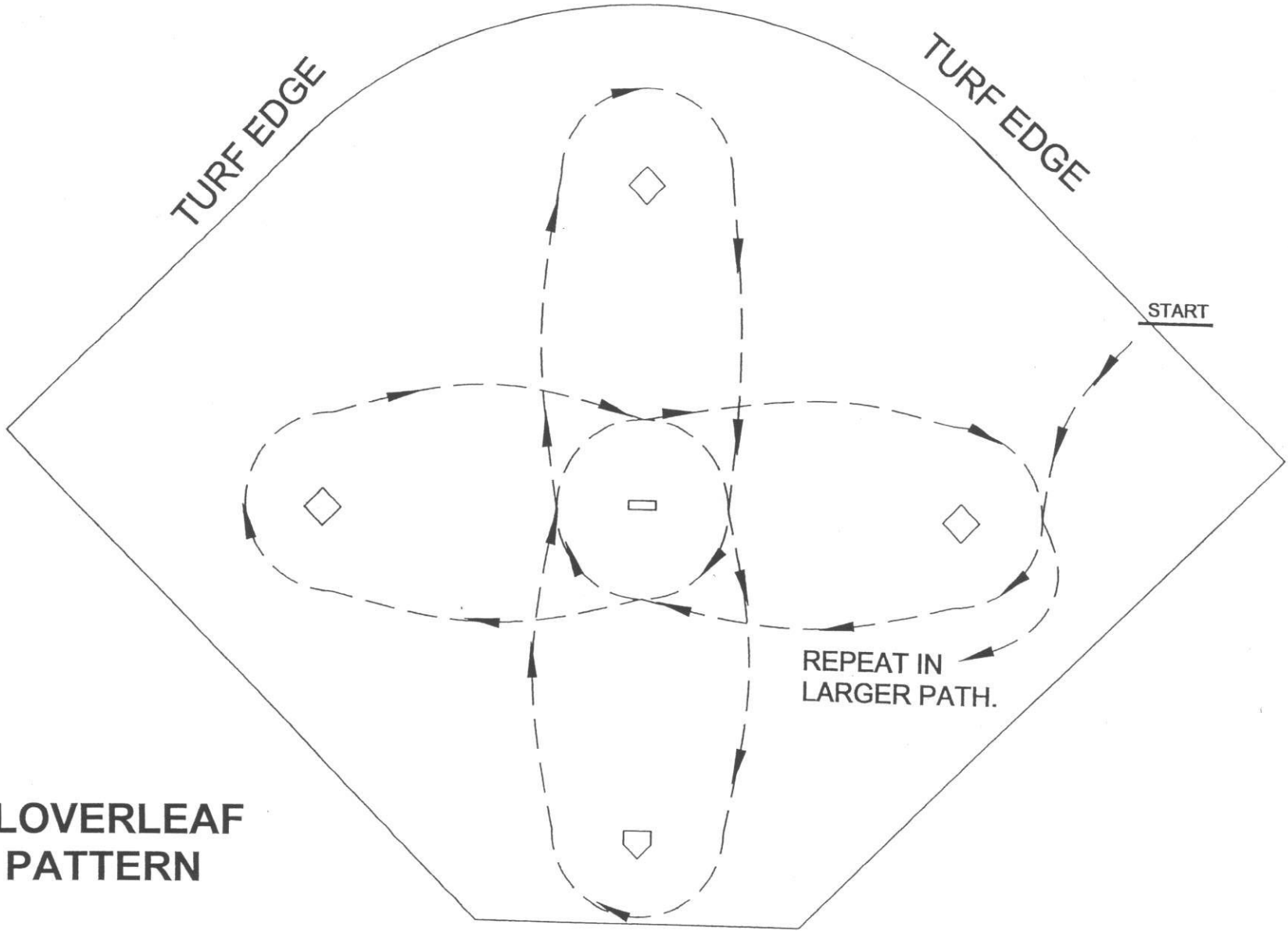
Skim the surface of your field with the rock screen in place to remove rocks and debris from the surface of your field

**EQUIPMENT SET-UP/ROUTINE:** Drag should be set-up with center blade only at level - 1/8" in depth. Remove rear blade and place rock screen between center blade and rear blade support bar. Drive in circular pattern at 2-3 mph so the drag is just skimming the top layer of dirt. Dirt will build up in front of the blade. Push the dirt into the screen with a rake for best cleaning results. Again you can hook your standard drag on the back for fine grooming at the same time.

### **CUT-N-LEVEL FOR BASEBALL FIELDS**

All the same benefits as described above can be achieved on your baseball field as well. The Equipment set-up described for Grading, Drying, Spreading and Rock Removal would be the same as for a softball field. The routines described above obviously would not apply to a grass infield baseball field. See page 9 for baseball field pattern/routine.

**CLOVERLEAF  
PATTERN**



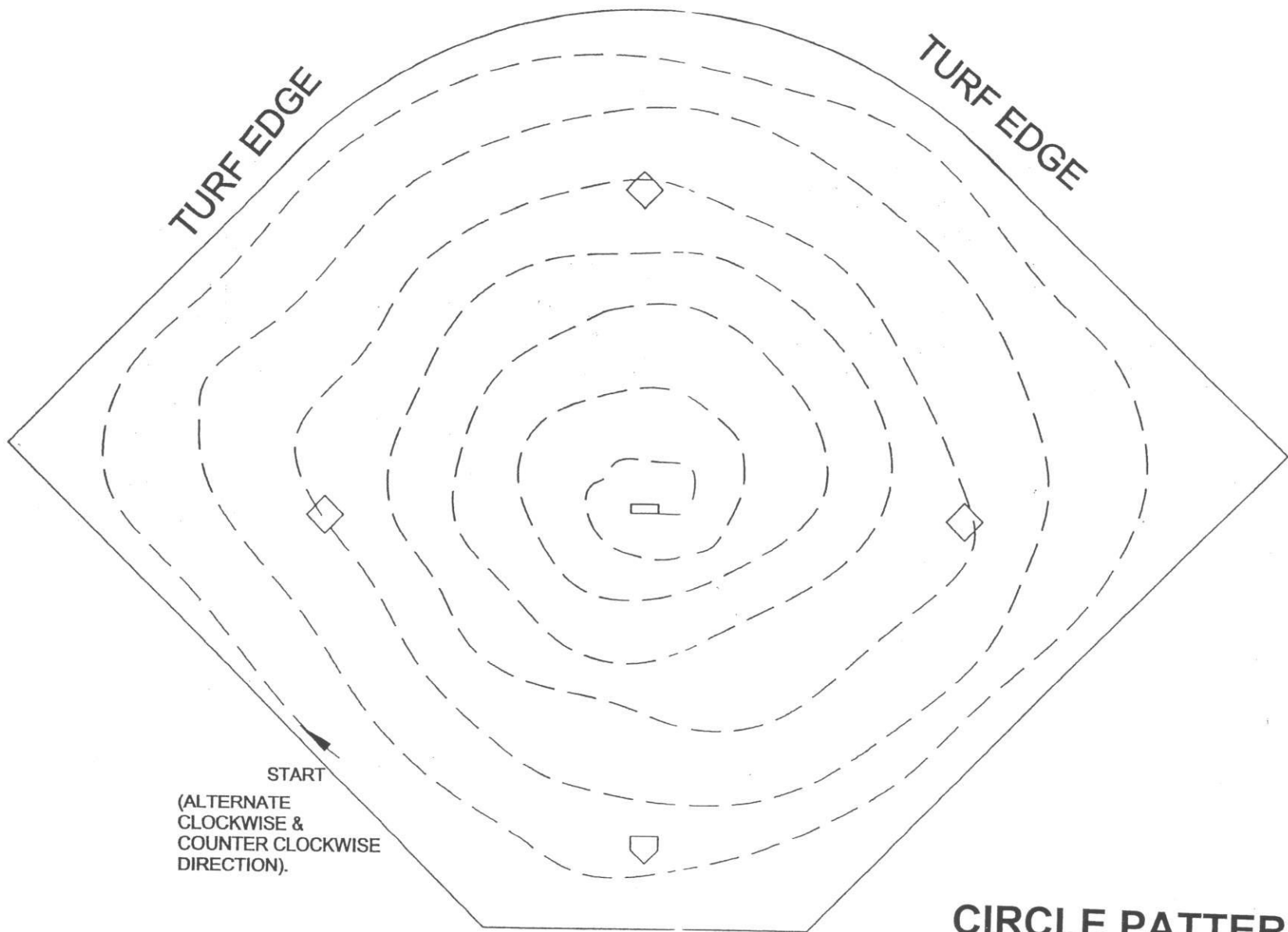
REPEAT IN  
LARGER PATH.

START

TURF EDGE

TURF EDGE





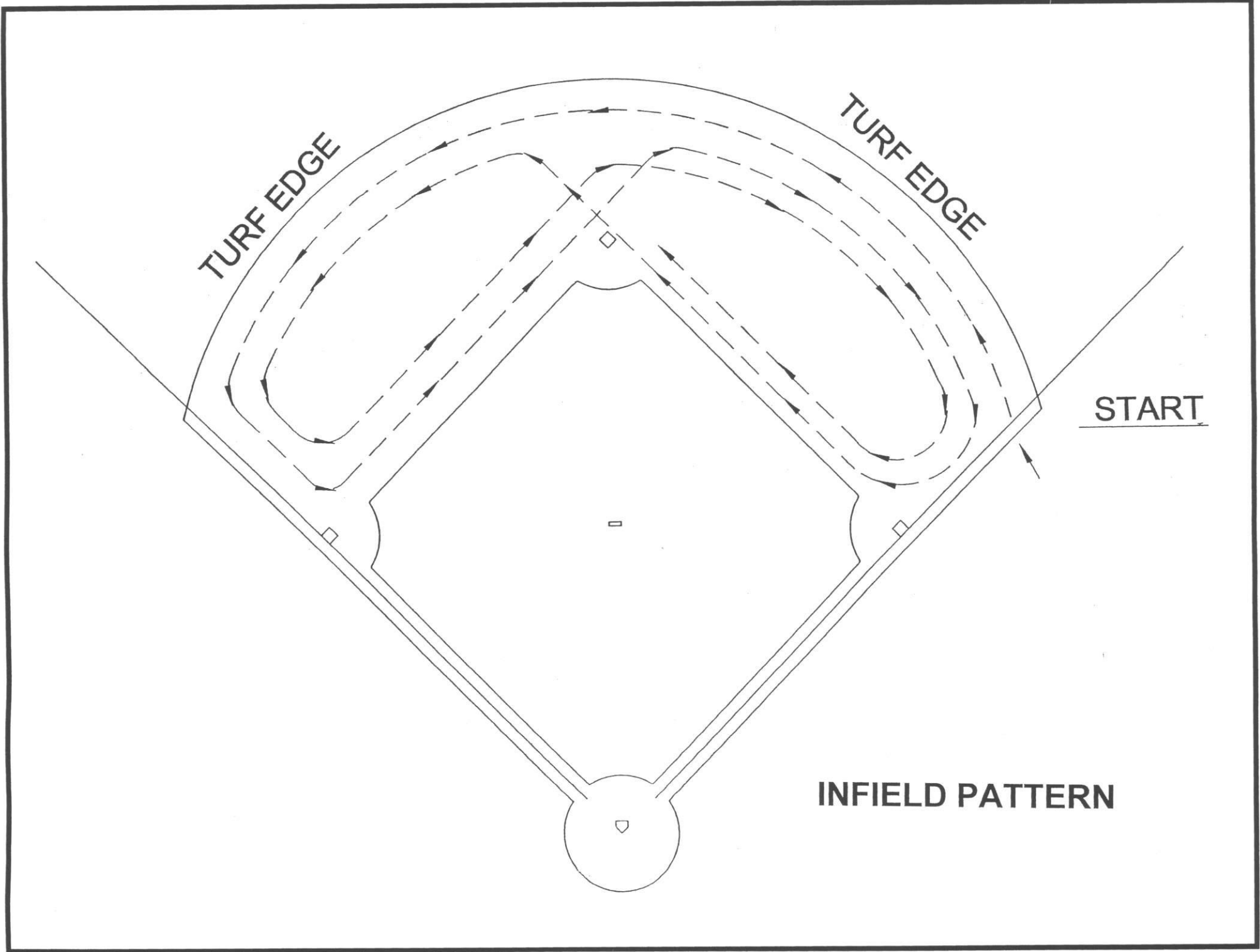
TURF EDGE

TURF EDGE

START  
(ALTERNATE  
CLOCKWISE &  
COUNTER CLOCKWISE  
DIRECTION).

CIRCLE PATTERN





TURF EDGE

TURF EDGE

START

INFIELD PATTERN